

MARKOPRINT HANDHOLD LX ULTRA

Powerful battery-powered hand printer for cordless labeling with extended print height

- + Low weight and compact shape
- + Easy handling
- + Powerful battery
- + Print height up to 25.4 mm, print resolution up to 600 dpi
- + Achieves print speeds of up to 90 m/min
- + WIFI version optionally available



EXECUTE PRINT JOBS REGARDLESS OF LOCATION

The compact design and light weight make the HandHold LX Ultra the perfect handheld printer for mobile labeling tasks. The thermal inkjet printer with LX cartridge technology handles labeling tasks outside of production when it comes to smaller print runs with varying print content and is very easy to operate. The print data is conveniently created on the PC using the integra Command software included in the scope of delivery. The device is set up and the print data is transferred using the USB stick supplied. The practical system is stored in a robust case, which contains the printer and accessories.

A large selection of water- and solvent-based inks allows the labeling of almost all absorbent and non-absorbent surfaces. The Markoprint HandHold LX Ultra prints text, 1D barcodes, 2D codes and graphics in high resolution and delivers brilliant print results on products and packaging. The long-life rechargeable battery ensures smudge-proof, easy-to-read and durable labeling, e.g. on wooden slats and boxes, packaging cartons and films or plastic Euro boxes.



APPLICATIONS



MARKOPRINT HANDHOLD LX ULTRA

SPECIAL FEATURES



PRINTING BY FINGER SWIPE

The printing process is conveniently triggered by a simple finger pull, allowing a print height of 25.4 mm per line. With each pull, the HandHold LX Ultra produces a new, clearly legible print. This makes it easy to implement multi-line markings precisely and reliably. This function provides high flexibility for a wide range of applications and makes handling easier in diverse areas of use.



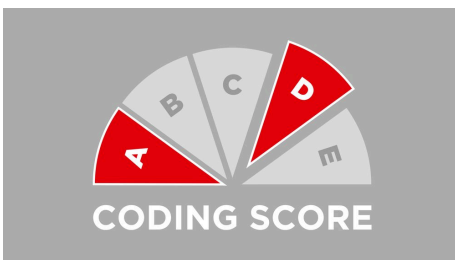
SMARTCARD TECHNOLOGY CONTROLS INK TYPE AND FILL LEVEL

The smart card technology of the ink cartridges ensures consistently good prints. A chip identifies the current ink type and automatically sets the corresponding parameters. There is no need to switch over manually when changing the ink. The ink level is also recorded and displayed in real time. This enables controlled cartridge replacement and prevents the insertion of incorrect cartridges. Thanks to the Click'n Print cartridge holder, ink changes are quick and easy.



WIFI VERSION OPTIONALLY AVAILABLE

The optionally available Wi-Fi version of the Markoprint HandHold LX Ultra enables convenient, wireless transmission of print data and configurations directly to the device. This eliminates the need for additional cables, simplifying handling and providing greater freedom of movement. Users can flexibly adjust print jobs and quickly change configurations without physically connecting the printer—ideal for mobile applications.



CLEAR PERFORMANCE LEVELS FOR FLEXIBLE AND SCALABLE PRINTING SOLUTIONS

The specially developed Coding Score makes it easier to select and configure Markoprint printing systems. The performance levels – PRINT, BASIC, ADVANCED, PRO, and ULTIMATE – are clearly defined, easy to compare, and vary depending on the system. This creates transparency in decision-making and ensures investment security in a marking solution that can be flexibly expanded at any time. New requirements for production, efficiency, or sustainability can be easily integrated, securing consistently powerful and economical processes.

MARKOPRINT HANDHOLD LX ULTRA

TECHNICAL SPECIFICATIONS

PRINTING SPECIFICATIONS

	Pro
Printer type	Thermal Ink Jet (TIJ)
Supported printing technology	LX
Print height	1 - 25.4 mm
Vertical print resolution up to	600 dpi
Print speed up to	90 m/min
Recommended distance printhead to product	1 mm
Distance from printhead to product	1 - 4 mm
Number of printheads up to	1
Maximum number of production lines	1
Orientation	From left to right; From right to left
Function	Lateral printing; Top printing
Printable content	Logos; Fields of action; Date offset; Date field; Time indication; Counter; Text fields; 2D codes; Barcodes
Barcodes	Code 2 out of 5; Code 128; DataMatrix; EAN 8; EAN 13; GS1 DataMatrix; GS1 Databar; QR code; UPC-A; UPC-E; more on request
DBPrint	-
PDF direct printing	-
Fonts	Customized fonts; All Windows fonts
Software requirements	Processor with at least 1 GHz; Interface for connecting the printing device; PC mouse or touchscreen; DirectX 9 or higher with WDDM 1.0 driver; Min. 30 GB hard disk space; 2 GB for 32-bit or 4 GB for 64-bit; Windows 7, 8, 10
Interpreter software	integra Command
Spitting	+

INK

Colour	Black ¹
Composition	Water-based

¹ A maximum of one ink per system can be used.

HARDWARE

	Pro
Display	no display
Battery operation	12 V battery

MARKOPRINT HANDHOLD LX ULTRA

HARDWARE

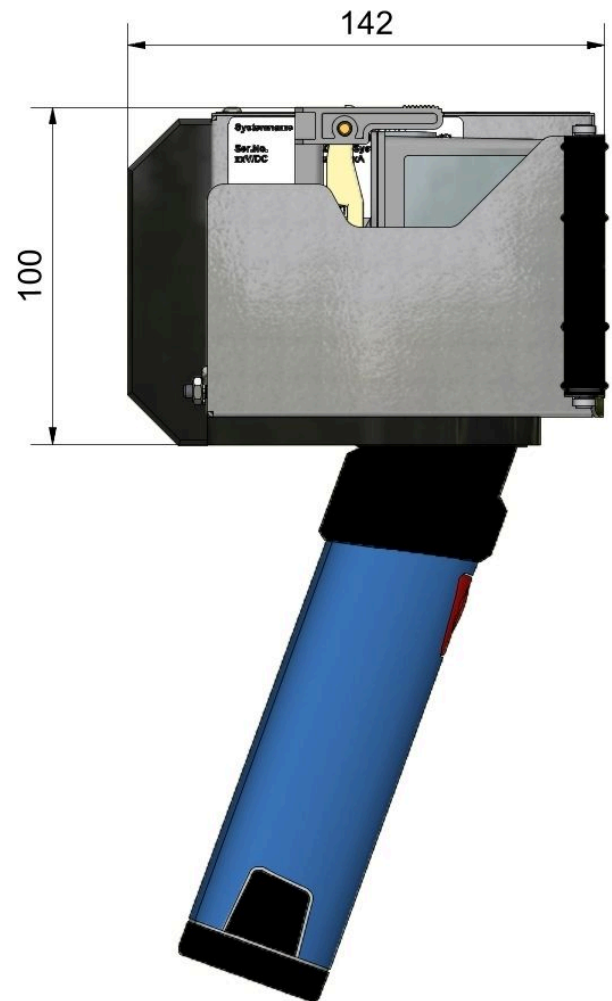
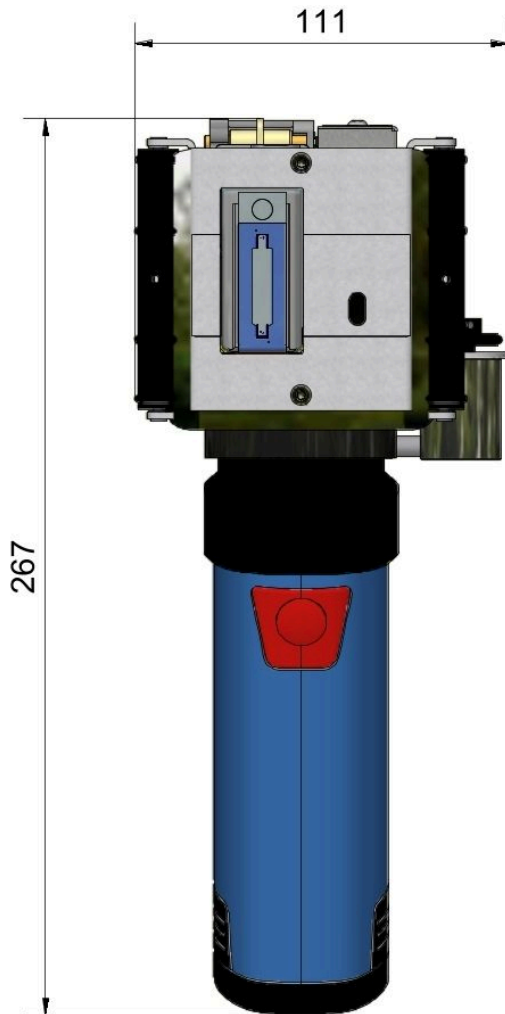
	Pro
Password protection	-
Internal sensor	+
Flash memory expansion as an option	-
USB memory stick slot	+
SD memory card slot	-
PCMCIA slot	-
WIFI	-
interfaces	Ethernet (TCP/IP); RS-232; WIFI (optional)
Interfaces (optional)	WIFI (optional)

PHYSICAL ASPECTS

System dimensions (HxWxL)	267 x 111 x 142 mm
Weight	1.175 kg
Authorisations	CE
Rel. humidity non-condensing	10 - 90 %
Ambient temperature	5 - 40°C
Amperage	1.25 A
Power consumption	15 W

MARKOPRINT HANDHOLD LX ULTRA

TECHNICAL DRAWINGS



MARKOPRINT HANDHOLD LX ULTRA



YOUR RELIABLE PARTNER

+ PERSONAL POINT OF CONTACT

Your personal point of contact from our team will listen to you and explain the options.

+ MADE IN GERMANY

With our Made in Germany production, we guarantee quality and availability.

+ APPROPRIATE SOLUTION

We develop the optimal solution for your requirements, independently of technology.

+ SEAMLESS SERVICE

Our comprehensive service network is always on hand to help.

+ REGIONALLY ROOTED, GLOBALLY CONNECTED

As a family-owned company with branches worldwide, customer relations are always our top priority.

Weber Marking Systems GmbH

Maarweg 33 / 53619 Rheinbreitbach
T +49 (0)2224 77 08 0 / info@webermarking.de
weber-marking.com