

MARKOPRINT INTEGRA GO

Compact system with automatic product detection, extended print height and Wi-Fi for wireless integration

- + Compact: printhead and print controller in one housing
- + Print height up to 25.4 mm, print resolution 600 dpi
- + Achieves print speeds up to 60 m/min
- + Flexible use via Wi-Fi
- + For absorbent and non-absorbent surfaces



FLEXIBLE INKJET PRINTER FOR PRECISE MARKINGS

The Markoprint integra go is a compact inkjet printer for industrial applications that offers maximum flexibility and precision. Thanks to its Wi-Fi function, the thermal inkjet printer can be integrated wirelessly into existing production environments without additional software. The intuitive one-button operation makes it easy to use even for untrained staff. Up to three predefined print layouts with texts, logos, barcodes, or serial numbers can be retrieved at the push of a button.

The cartridge technology allows a print height of 25.4 mm and ensures maintenance-free operation: with each ink change, a new printhead is automatically installed, eliminating the need for cleaning and servicing. Two ink types – water-based or solvent-based – deliver razor-sharp results on both absorbent and non-absorbent materials. Automatic ink identification optimizes the settings independently and reliably prevents drying out during print pauses.

APPLICATIONS



MARKOPRINT INTEGRA GO

SPECIAL FEATURES



INTUITIVE ONE-BUTTON CONTROL

The intuitive one-button control makes printing with the Markoprint integra go easy, even for untrained staff. At the push of a button, up to three different stored print texts including fonts, serial numbers, barcodes, or logos can be retrieved. The print data is transferred to the device beforehand via USB stick or Ethernet directly from the company network. Print layouts can be created quickly and easily using the Markoprint integra Command Software.



WI-FI FUNCTION

The integrated Wi-Fi function enables flexible and wireless use of the system. No additional software installation is required, as the user-friendly web interface can be accessed directly in any standard browser. This allows the printer to be integrated quickly and easily into existing workflows.



INTEGRATED PHOTOELECTRIC SENSOR FOR PRODUCT DETECTION

The integrated photoelectric sensor for product detection enables automatic and precise triggering of the printing process. It reliably detects each product as it passes by and ensures that printing takes place exactly in the right position. This prevents misprints, optimizes the production process, and guarantees consistently high print quality – even at high speeds and with varying product distances.

MARKOPRINT INTEGRA GO

TECHNICAL SPECIFICATIONS

PRINTING SPECIFICATIONS

	integra go
Printer type	Thermal Ink Jet (TIJ)
Supported printing technology	NG
Print height	1 - 25.4 mm
Vertical print resolution up to	600 dpi
Print speed up to	60 m/min
Recommended distance printhead to product	1 mm
Distance from printhead to product	1 - 6 mm
Number of printheads up to	1
Maximum number of production lines	1
Orientation	From left to right; From right to left
Function	Top printing; Lateral printing
Printable content	Barcodes; 2D codes; Text fields; BMP graphics; Counter; Time indication; Date field; Date offset; Input of variables; Logos
Barcodes	EAN 8; EAN 13; UPC-A; UPC-E; Code 39; Code 128; GS1 DataMatrix; DataMatrix; QR code; GS1 QR Code
DBPrint	-
PDF direct printing	-
Interpreter software	integra Command
Spitting	-

INK

Colour	Black
Composition	Solvent-based; Water-based

HARDWARE

	integra go
Display	no display
Password protection	-
Internal sensor	+
Flash memory expansion as an option	-
USB memory stick slot	+
SD memory card slot	-
PCMCIA slot	-

MARKOPRINT INTEGRA GO

HARDWARE

	integra go
WIFI	+
interfaces	Ethernet (TCP/IP)

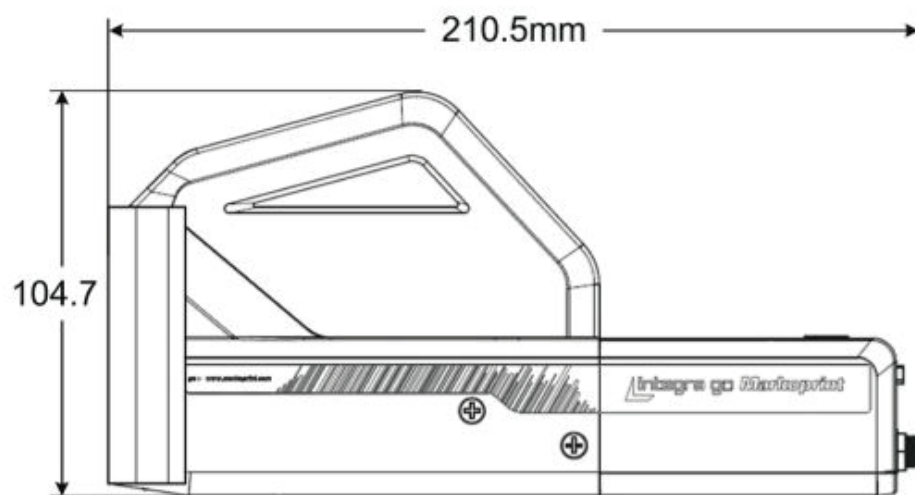
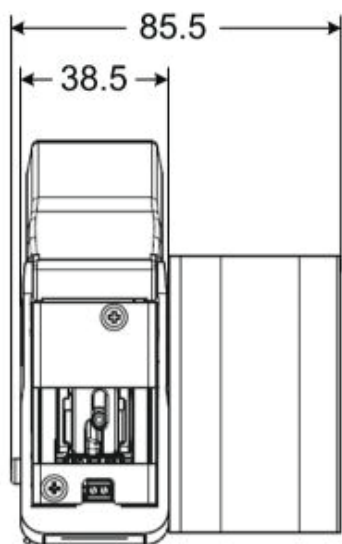
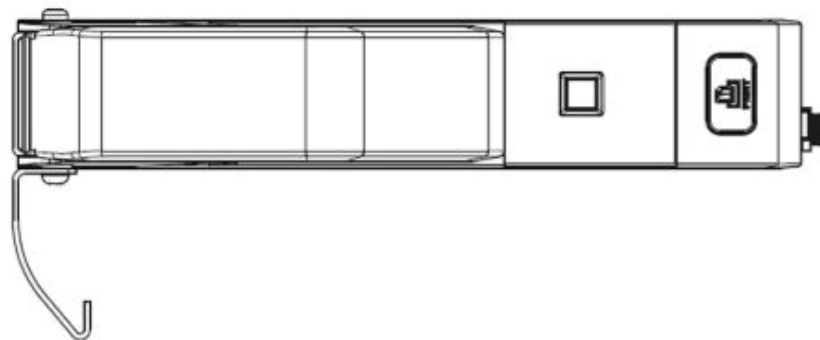
PHYSICAL ASPECTS

System dimensions (HxWxD)	105 x 39 x 211 mm
Weight	0.32 kg
IP ingress protection	IP 40
Authorisations	CE
Rel. humidity non-condensing	10 - 90 %
Ambient temperature	5 - 40°C
Supply voltage	100-230 V
Mains frequency	50-60 Hz
Amperage	3.2 A
Power consumption	23 W

INDUSTRIAL INKJET PRINTER

MARKOPRINT INTEGRA GO

TECHNICAL DRAWINGS



INDUSTRIAL INKJET PRINTER

MARKOPRINT INTEGRA GO



YOUR RELIABLE PARTNER

+ PERSONAL POINT OF CONTACT

Your personal point of contact from our team will listen to you and explain the options.

+ MADE IN GERMANY

With our Made in Germany production, we guarantee quality and availability.

+ APPROPRIATE SOLUTION

We develop the optimal solution for your requirements, independently of technology.

+ SEAMLESS SERVICE

Our comprehensive service network is always on hand to help.

+ REGIONALLY ROOTED, GLOBALLY CONNECTED

As a family-owned company with branches worldwide, customer relations are always our top priority.

Weber Marking Systems GmbH

Maarweg 33 / 53619 Rheinbreitbach
T +49 (0)2224 77 08 0 / info@webermarking.de
weber-marking.com

2026-04-28 | en_INT