

Omnidirectional  
Versatile  
Easy to service  
Easy to maintain



### ■ *The Most Flexible Print-heads Series*

The FLEX-Series is the most efficient coding solution for omnidirectional printing on most surfaces. 3 versions available to bring the adequate solution for Marking needs  
18 - 34 and 72mm print-band able to print in any direction, any text - logo - 1D & 2D barcode  
- image - Time & Date - variables - and even more ...

### *The Perfect Coding Solutions*

- Text from 0.7 to 144mm
- Ink low alarm
- Secured ink system design (leak-free)
- The ink bottle can be replaced without any stop in the production.
- Inks for porous and non-porous surfaces



# FleX-Series

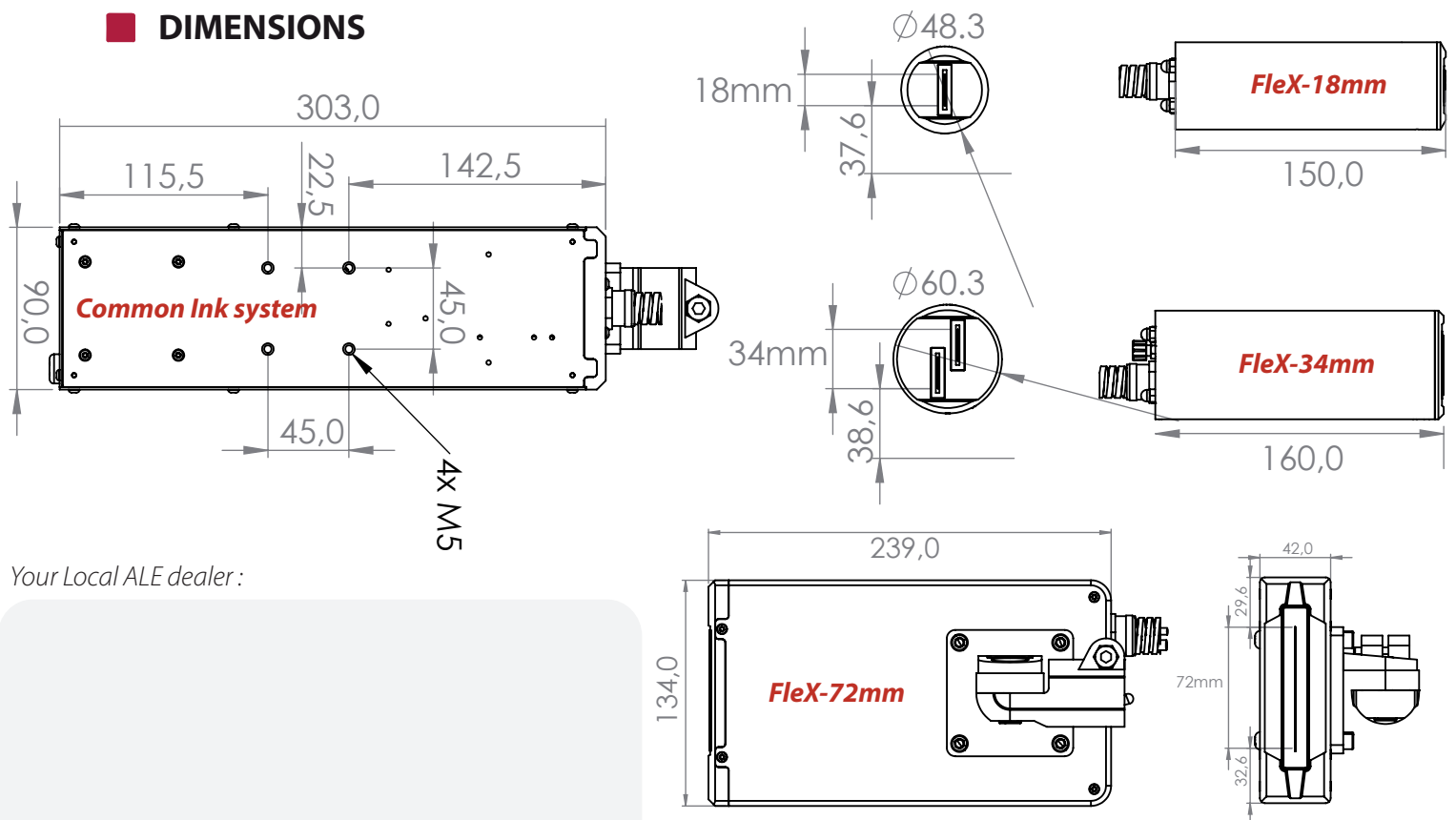
## HIGH RESOLUTION PRINT-HEADS

### SPECIFICATIONS

#### SPECIFICATIONS

Version	Flex18	Flex34	Flex72-35pl	Flex72-80pl
Drop size	80 pl	80 pl	35pl	80pl
Max Printing Speed at 180Dpi	42m/min	42m/min	60m/min	38m/min
Printing Frequency	5Khz	5Khz	7.1Khz	4.3Khz
Weight	4.6Kg	4.7Kg	5.6Kg	5.6Kg
Lowest Printing dot	15.5mm	13.7mm	32.6mm / 29.6(rev)	32.6mm / 29.6(rev)
Housing	Anodised Aluminium and Stainless steel			
Electrical Specifications	12vdc - From data cable / Controller			
Operating Environment	From 5 to 45°C - Humidity from 0 to 90% (non condensing)			
IP degree	IP20			
Conformity	EMC Directive 2014/30/EU - RoHS 2011/65/EU - Low voltage directive (LVD) 2014/35/EU			

#### DIMENSIONS



Your Local ALE dealer :

