

Robust
Compact
Easy to install
Fits anywhere...



■ *The Most Powerfull stand alone printer*

The One18-Series is the most powerfull all in one box coding solution.
2 versions available to match your Marking needs - side or omnidirectionnal printing.
Available for Porous or non-porous surfaces.
Full connectivity - All the ALE technology compressed in a small well designed box...

The Optimised Coding Solution

- 7" Touchscreen LCD
- Telescopic or remote 18mm Print-Head
- Robust design
- The ink bottle can be replaced without any stop in the production.
- Inks for porous and non-porous surfaces





One - Series

HIGH RESOLUTION ALL IN ONE BOX

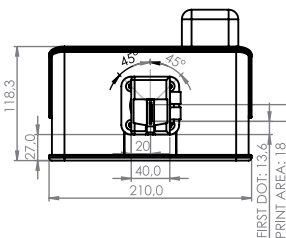
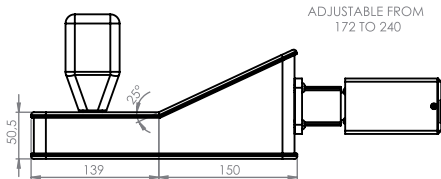
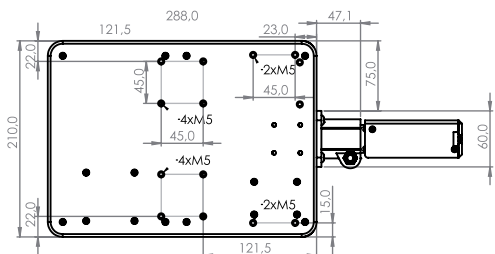
SPECIFICATIONS

SPECIFICATIONS

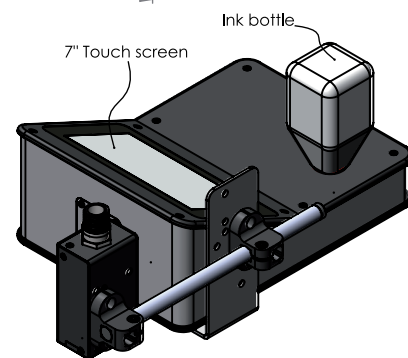
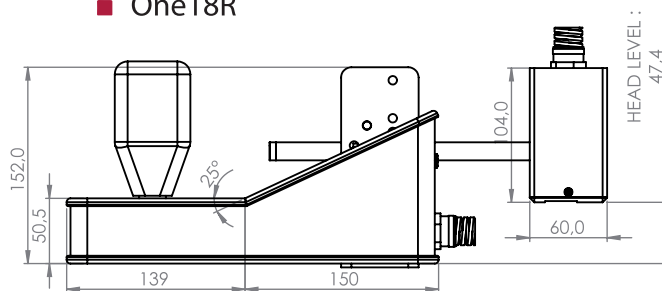
Version	One18	One18R
Drop size	80 pL	80 pL
Max Printing Speed at 180Dpi	42m/min	42m/min
Printing Frequency	5Khz	5Khz
Weight	3.7Kg	4Kg
Lowest Printing dot	14mm	14mm
Housing	Anodised Aluminium and Stainless steel	
Electrical Specifications	12vdc - External Power supply 5A	
Operating Environment	From 5 to 45°C - Humidity from 0 to 90% (non condensing)	
IP degree	IP20	
Conformity	EMC Directive 2014/30/EU - RoHS 2011/65/EU - Low voltage directive (LVD) 2014/35/EU	

DIMENSIONS

One18



One18R



Your Local ALE dealer :

