

SpeedMarker 1350 (8053)



Laser

Wavelength	1.064 nm
Laser source	Pulsed Yb-fiberlaser
Power stability	better $\pm 5\%$
Cooling	active fan cooled

Laser type	20W Fiber	20W MOPA	30W Fiber	50W Fiber	100W MOPA
Maximum laser power	20W	20W	30W	50W	100W
Pulse frequency (kHz)	1-600	1-4000	1-600	2-200	1-4000
Pulse length(ns)	200	2-500	200	200	2-500
Beam quality	$M^2 < 1.5$	$M^2 < 1.4$	$M^2 < 1.8$	$M^2 < 1.4$	$M^2 < 1.6$
Maximum pulse energy [mJ]	0.8	0.8	0.8	1.25	1.5

Galvo System

Lens	F100	F160	F210	F254	F330	F420
Marking field XxY(mm)	70x70	120x120	150x150	190x190	240x240	310x310
Spotdiameter @ working dist.(mm)	0.027	0.045	0.059	0.068	0.088	0.112
Marking resolution (mm)	0.001	0.002	0.002	0.003	0.004	0.005
Max. marking speed (m/sec)	7	12	12	12	12	12

Workstation with software-controlled X-, Y- and Z-axis

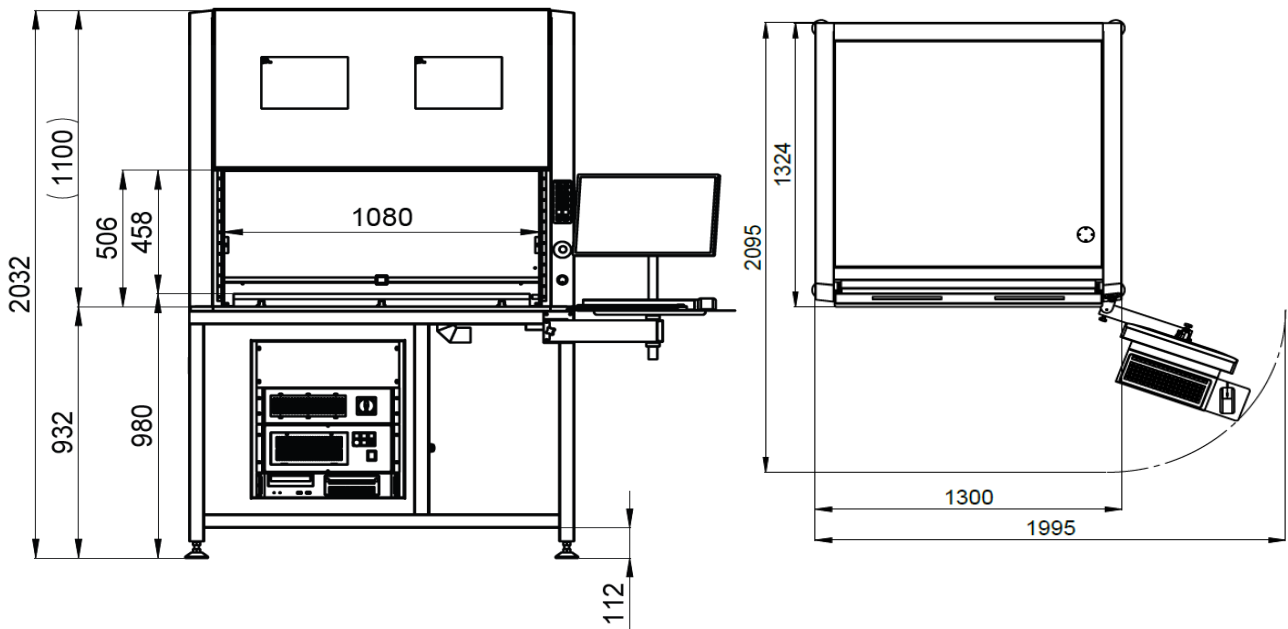
Lens	F100	F160	F210	F254	F330	F420
Maximum part height (mm)	745	684	627	577	507	397
Max. working area [WxD] (mm)	880 x 470	930 x 500	960 x 500	1000 x 500	1000 x 500	1000 x 500
Maximum load	50 kg					
Working table	T-slot plate (Isel PT 25): 1000 x 500 mm					
Weight approx.	580 kg					

System specification

Norm	CDRH Lasersafety; Laserclass 2; CE [EN 60825-1]
Dimensions [W x H x D in mm]	1300 x 2032 x 1324
Software	Speedmark; Directmark Printerdriver
Axis	software controlled
Supported mono fonts	ISOCT, RomanS, SOKOL
Supported fonts	all installed TrueTypeFonts
Supported 1D barcodes	Australian Post; Codebar; Code 11; Code 128; Code 39; Code 93; DAFT; Deutsche Post; DPD; EAN-13; EAN-14; EAN-8; GS1; HIBC; ISBN; GS1; Pharmacode
Supported 2D codes	Datamatrix; QR-Code; Aztec; Codeblock-F; GS1 Databar; HIBC; Maxi Code; PDF 417
Supported image formats	BMP; JPG; DXF; PDF; EPS; PS; TSF; DWG
Focus and pilot laser	Diode laser $\lambda = 655\text{nm}$, Laser class 2; 1mW
Interfaces	Ethernet, RS232, Laser-Interlock, Marking-Start (24 VDC), Marking-Stop (24 VDC), E-Stop, Error-Reset, Laser-Busy, assignable digital I/O's (4/4; 24 VDC), USB, Ethernet, RS232
HMI	Integrated industrial PC as 19" unit 2RU Windows® 10, keyboard, mouse
Door	Manual/automatic door
Color	RAL 3002, RAL 7016, RAL 7035
Power supply	230 VAC, 16 A, 50/60 Hz, 1/N/PE
Maximum power consumption	1400 W
Cooling	active fan cooled
Protection level	Marking head: IP54 / rack unit: IP20
Mini. required exhaust	Atmos Nano

Ambient conditions

Operation	Temperature range +15 to +35° C; Relative humidity max. 60 %. Non-condensing
Storage	Temperature range +0 to +30° C; Relative humidity max. 60 %. Non-condensing
Transport	Temperature range -10 to +40° C; Relative humidity max. 70 %. Non-condensing



Tolerances on Dimensions: 1%

Content subject to change without prior notice.

v2.0 04/04/2023