



SpeedMarker 700 CO2

Technical Data SpeedMarker 700 CO2 (8041)

Workstation Konfiguration		SM 0700 XXC XXXX XXX L00
Norm	CDRH Lasersafety; Laserclass 2; CE [EN 60825-1 (2015)]	
Software	Speedmark; Directmark Printerdriver	
Supported mono fonts	ISOCT, RomanS,SOKOL	
Supported fonts	all installed TrueTypeFonts	
Supported 1D barcodes	Australian Post; Codebar; Code 11; Code 128; Code 39; Code 93; DAFT; Deutsche Post; DPD; EAN-13; EAN-14; EAN-8; GS1; HIBC; ISBN; GS1; Pharmacode	
Supported 2D codes	Datamatrix; QR-Code; Aztec; Codeblock-F; GS1 Databar; HIBC; Maxi Code; PDF 417	
Supported image formats	BMP; JPG; DXF; PDF; EPS; PS; TIF; DWG;	
Laser source	Iradion CO2 CeramiCore®	
Beam quality	M ² < 1,2	
Power stability (typical)	better ± 3 %	
Wavelength	10.600 nm	
Beam ellipticity	< 1,2:1	
Rise time	< 75 us	
Focus and pilot laser	Diode laser λ = 655nm, Laser class 2; 1mW	
Cooling	water cooling	
Typical water flow rate	1-2 gallons /minute	
Protection level	IP20	
Working table (mm)	T-Slot plate (ISEL PT 25): 375 x 400	
Max. loading weight	50 kg	
Interfaces	Ethernet, RS232, Laser-Interlock, Marking-Start (24 VDC), Marking-Stop (24 VDC),E-Stop, Error-Reset, Laser-Busy, optional digital I/O's (24 VDC).	
Weight	330kg	
Dimensions LxBxH	1388x780x1800	
Power supply	230V AC, 50/60Hz, 1/N/PE	
Power consumption	Max. 3200W	

Laserpower Konfiguration		SM 0700 06C XXXX XXX L00	SM 0700 12C XXXX XXX L00
Nennleistung		60W	120W

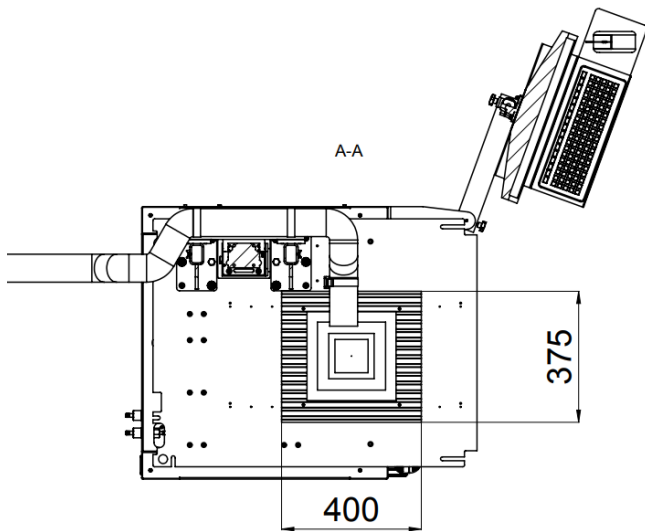
Axis Configuration		SM 0700 XXC XXXX Z00 L00			
Software controlled servo axis		Z			
Lens Configuration	SM 0700 XXC F150 Z00	SM 0700 XXC F200 Z00	SM 0700 XXC F300 Z00	SM 0700 XXC F400 Z00	
Marking field XxY(mm)	100x100	135x135	195x195	255x255	
Max. workpiece height (mm)	363	310	210	109	
Min. workpiece height (mm)	20	-	-	-	
Working distance (mm)	152.6	205.6	305.6	404.6	
Spotdiameter at working distance(mm)	0.24	0.32	0.47	0.63	
Marking resolution (mm)	0.002	0.002	0.003	0.004	
Max. marking speed (m/sec)	5.0	6.8	10.3	13.4	
Max. positioning speed (m/sec)	10.0	13.7	20.5	26.8	

Axis Configuration		SM 0700 XXC XXXX Z0Y L00			
Software controlled servo axis		Z,Y			
Lens Configuration	SM 0700 XXC F150 Z0Y	SM 0700 XXC F200 Z0Y	SM 0700 XXC F300 Z0Y	SM 0700 XXC F400 Z0Y	
Marking field XxY(mm)	100x381	135x416	195x476	255x536	
Max. workpiece height (mm)	363	310	210	109	
Min. workpiece height (mm)	20	-	-	-	
Working distance (mm)	152.6	205.6	305.6	404.6	
Spotdiameter at working distance(mm)	0.24	0.32	0.47	0.63	
Marking resolution (mm)	0.002	0.002	0.003	0.004	
Max. marking speed (m/sec)	5.0	6.8	10.3	13.4	
Max. positioning speed (m/sec)	10.0	13.7	20.5	26.8	

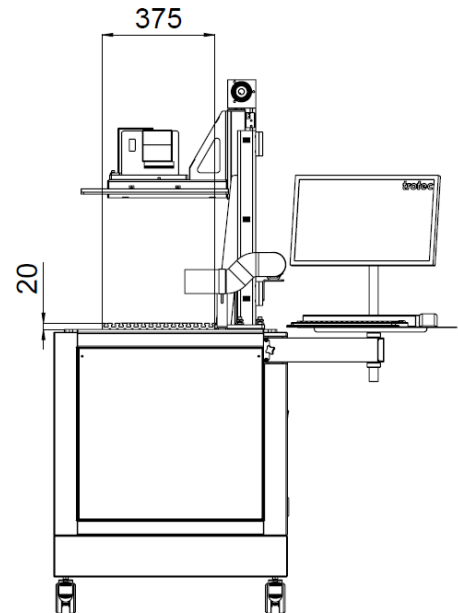
Ambient conditions	
Operation	Temperature range +15 to +35° C; Relative humidity max. 60 %. Non-condensing
Storage	Temperature range +0 to +30° C; Relative humidity max. 60 %. Non-condensing
Transport	Temperature range -10 to +40° C; Relative humidity max. 70 %. Non-condensing

SM 0700 XXC FXX Z00 L00

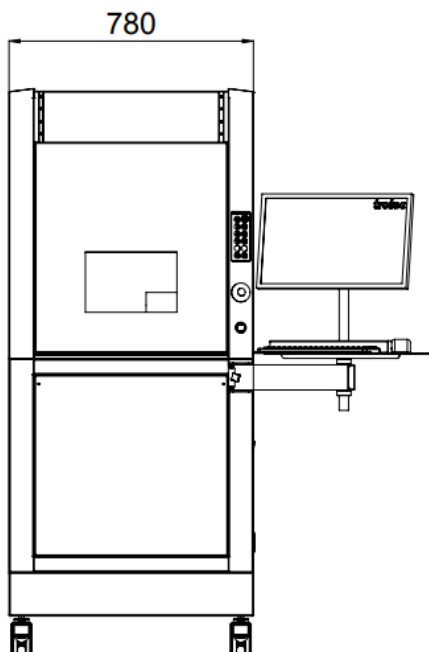
Configuration SpeedMarker 700 with software-controlled z-axis and liquid cooling



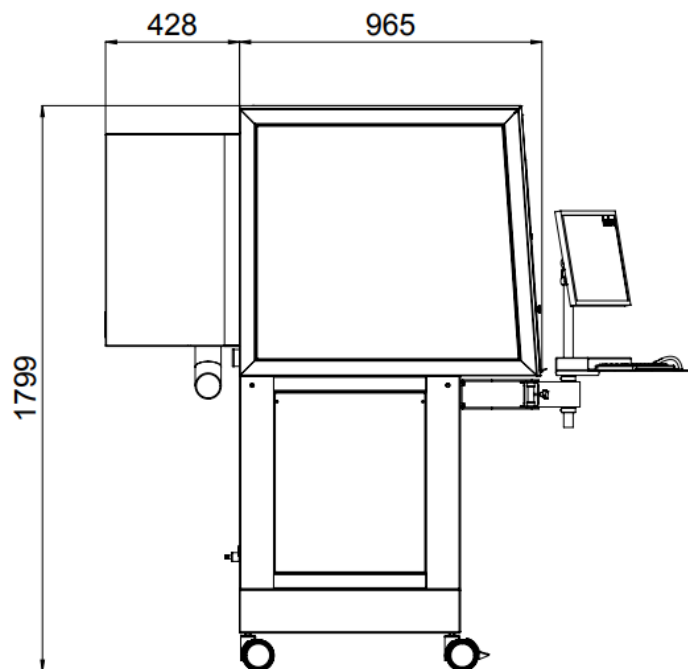
Interior top view



Interior front view



Front view



Side view

Tolerances on Dimensions: 1%