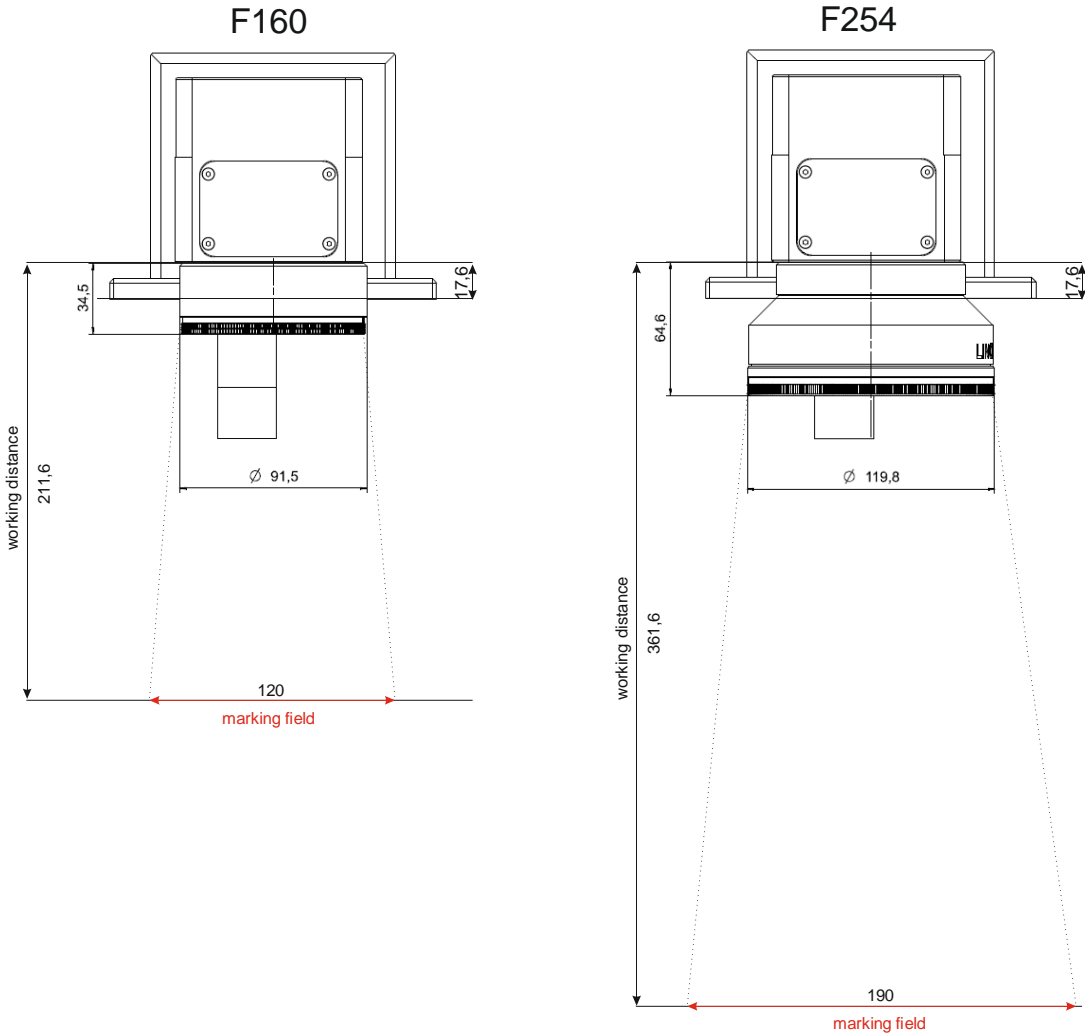


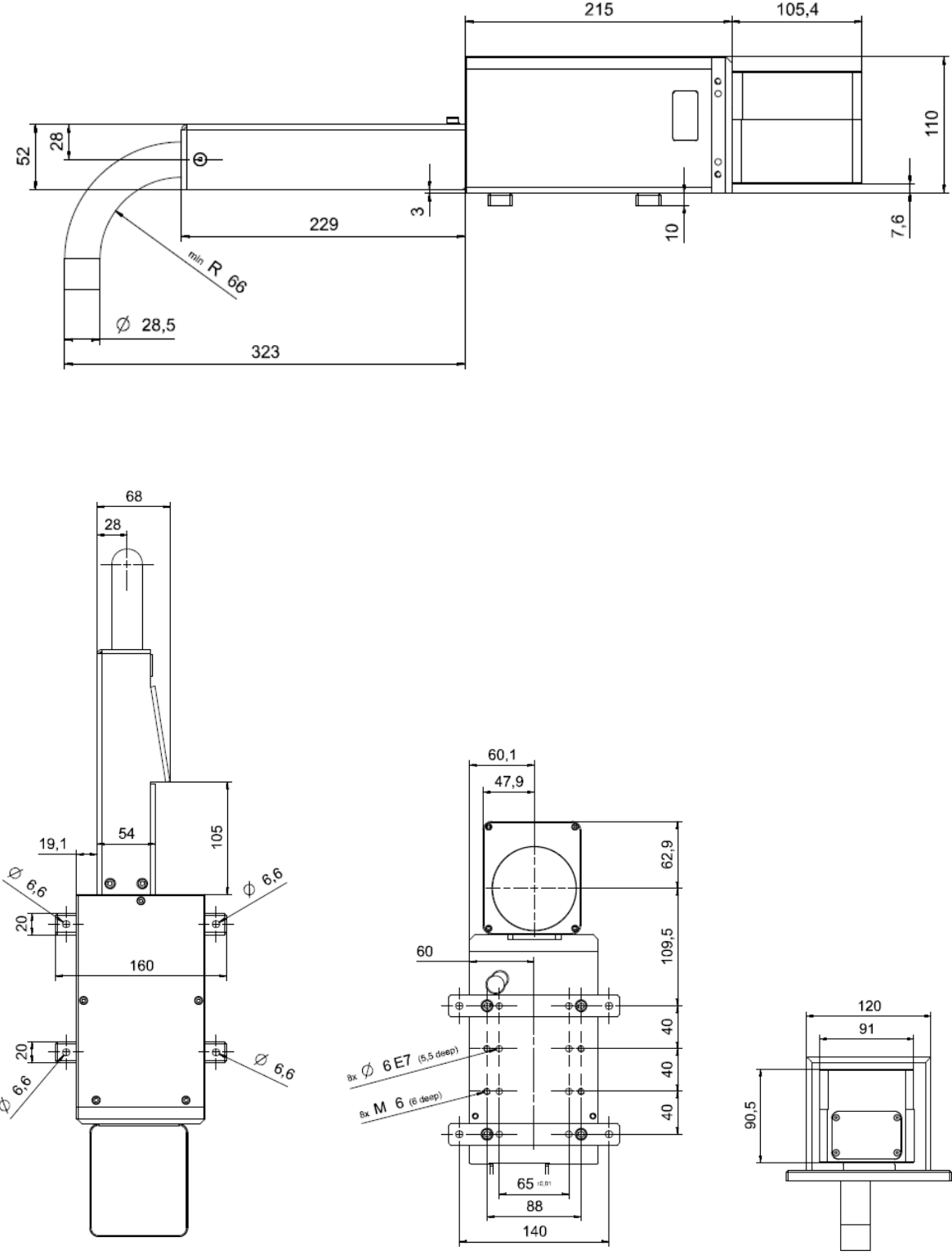
U50

Technical Data U50 Fiber (8021)		
Laser Head	UM 0050 02F F160	UM 0050 02F F254
Marking field XxY(mm)	120x120	190x190
Working distance (mm)	211,6	361,6
Spotdiameter at working distance(mm)	0,045	0,068
Marking resolution (mm)	0,002	0,003
Max. marking speed (m/sec)	6	9,5
Max. positioning speed (m/sec)	12	19
Norm	CDRH Lasersafety; Laserclass 4 with EC- Declaration of Incorporation According to Machine Directive 2006/42/EC, Annex II 1. B	
Software	UMark; Directmark Printerdriver	
Supported mono fonts	ISOCT, RomanS,SOKOL	
Supported fonts	all installed TrueTypeFonts	
Supported 1D barcodes	Australian Post; Codebar; Code 11; Code 128; Code 39; Code 93; DAFT; Deutsche Post; DPD; EAN-13; EAN-14; EAN-8; GS1; HIBC; ISBN; GS1; Pharmacode	
Supported 2D codes	Datamatrix; QR-Code; Aztec; Codeblock-F; GS1 Databar; HIBC; Maxi Code; PDF 417	
Supported image formats	BMP; JPG; DXF; PDF; EPS; PS; TSF; DWG;	
Laser source	Pulsed Yb-fiberlaser	
Beam quality	M ² < 2	
Power stability	better ± 5 %	
Maximum pulse energy	1 mJ	
Maximum laser power	20W	
Wavelength (nm)	1064	
Pulse frequency (kHz)	20-60	
Pulse length (ns)	~100	
Focus and pilot laser	Diode laser λ = 650nm, Laser class 2; 1mW	
Cooling	passiv air cooled	
Cable length to rack	~ 2,5m	
Protection level	IP 54	
Weight without lense	~ 8kg	
Laser Rack		
Interfaces	Ethernet, Laser-Interlock, Marking-Start (24 VDC), Marking-Stop (24 VDC),E-Stop, Error-Reset, Laser-Busy	
Weight	20 kg	
Dimensions LxBxH	449x559x177	
Power supply	115 - 230V AC, 50/60Hz, 1/N/PE	
Maximum power consumption	Max. 500W	
Ambient conditions	Temperature range +15 to +35° C; Relative humidity max. 60%. Non-condensing	
Cooling	active air cooled	
Protection level	IP 20	
Mini. recommended exhaust	Atmos Nano	
System requirements		
	Windows compatible PC at least 1GHz and Windows 10 with ethernet interface	
Ambient conditions		
Operation	Temperature range +15 to +35° C; Relative humidity max. 60%. Non-condensing	
Storage	Temperature range +0 to +30° C; Relative humidity max. 60%. Non-condensing	
Transport	Temperature range -10 to +40° C; Relative humidity max. 70%. Non-condensing	

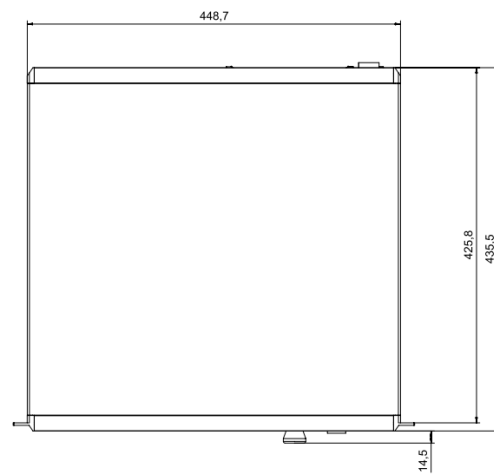
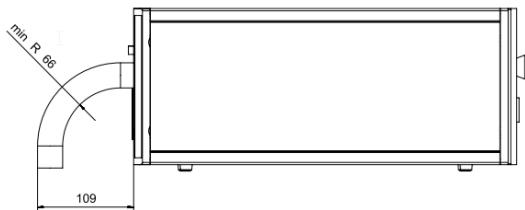
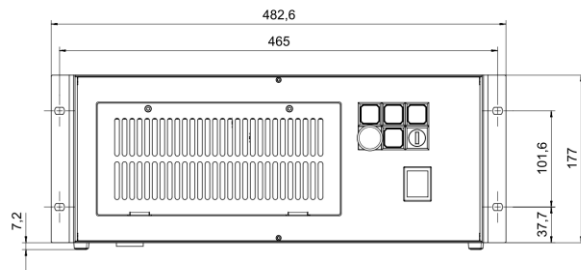
U50 - laser marking head with lens configuration



U50 - laser marking head (without lens)



Laser Rack



View 20-50 Watt

